

# Isle 02








ISLE02A



ISLE02B

An ode to quiet strength, Isle is a play both on illusion and perception allowing lightness to anchor and foundations to rise. Composed of a delicate glass tube resting on solid-stone and aluminum pedestals and suspended in mid-air like a surreal bridge, Isle is minimal, but never simplistic.

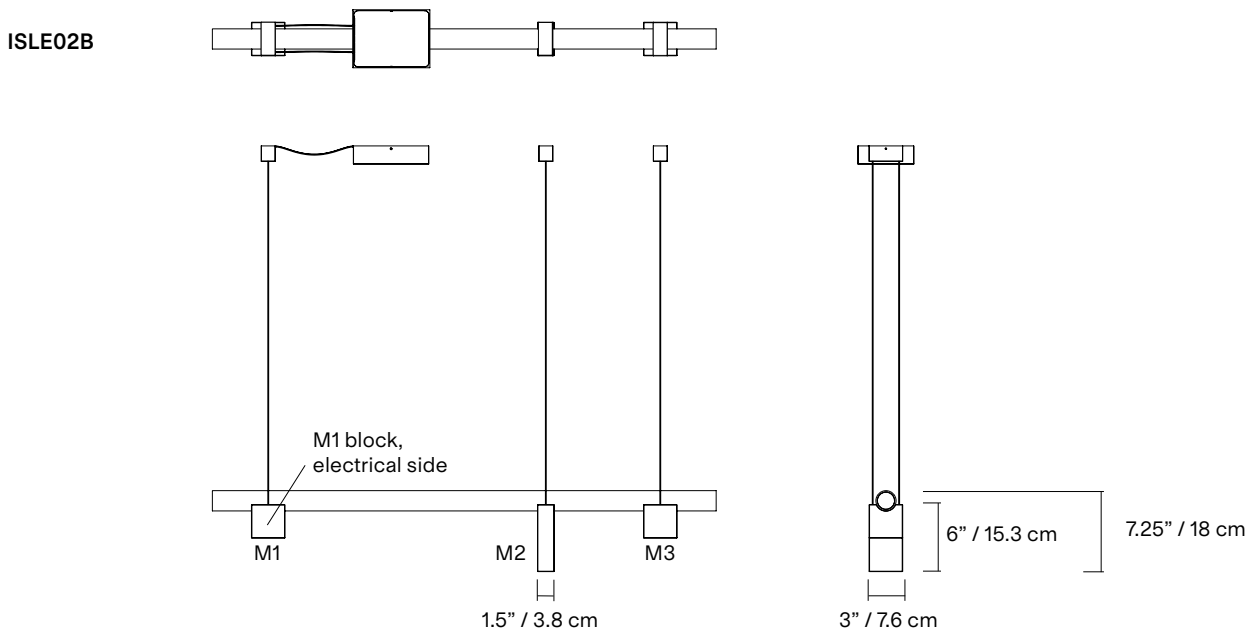
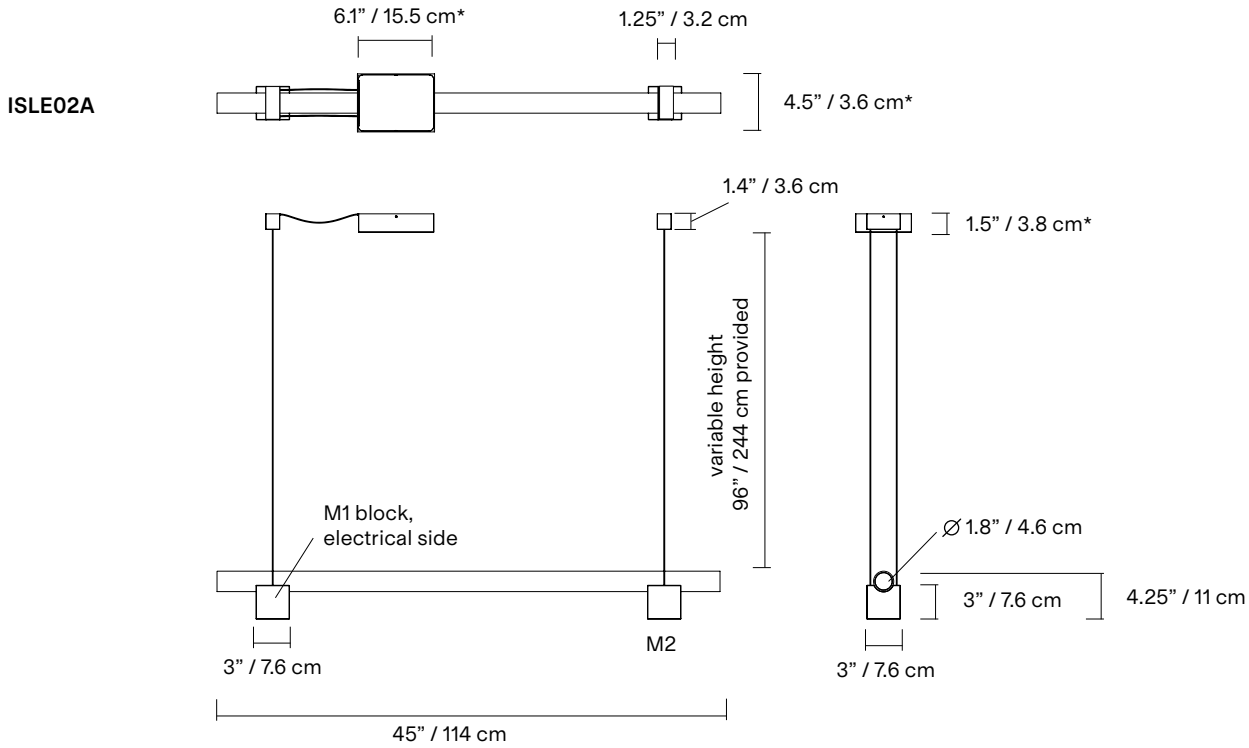
<b>TYPE</b>	Suspension
<b>CONSTRUCTION</b>	Frosted glass tube Polished aluminum or marble block and slab Polished aluminum endcap, canopy and anchors Polyester cord
<b>SPECIFICATIONS</b>	Power consumption: 35W  Colour temperature: 3000K 2700K dim to warm 3000K to 2200K dim to warm 2700K to 2200K  Colour rendering index: ≥90 CRI Colour consistency: 3 SDCM Expected lifetime: ≥50 000h
<b>CONTROL</b>	120/277V on/off, 0-10V, or phase dimming 220-240V: On/Off, Phase Dimming, DALI Refer to our recommended list of dimmer models on page 6
<b>CORD LENGTH</b>	Mains/line cords- 120" / 304 cm Non-electrical cords- 96" / 244 cm
<b>WEIGHT</b>	ISL02A- 13.5lb / 6.1Kg ISL02B- 16.5lb / 7.5Kg
<b>CERTIFICATIONS</b>	     IP20
<b>WARRANTY</b>	2 years

## NOTES

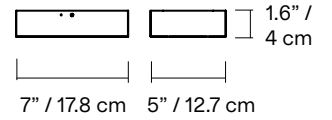
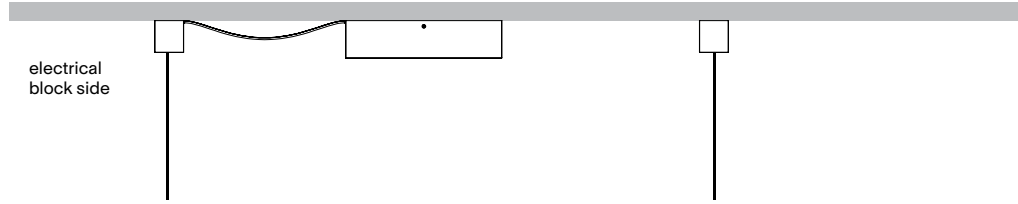
- Luminaire total height (ceiling to lowest point of luminaire)  
Min - 29"/74 cm  
Max - 119"/302 cm
- If the position of the canopy is different from the proposed installation. Ceiling anchors can be used as junction boxes for daisy chain.

Contact Lambert et Fils:

- For any height outside standard parameters.
- For installation on slanted ceiling.
- For daisy chain installation.



## SM- Surface mounted

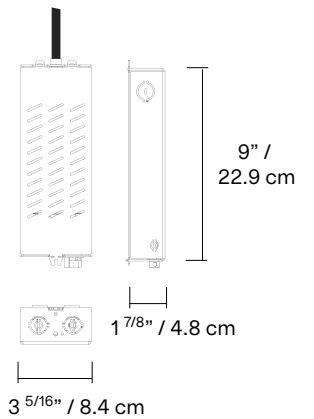
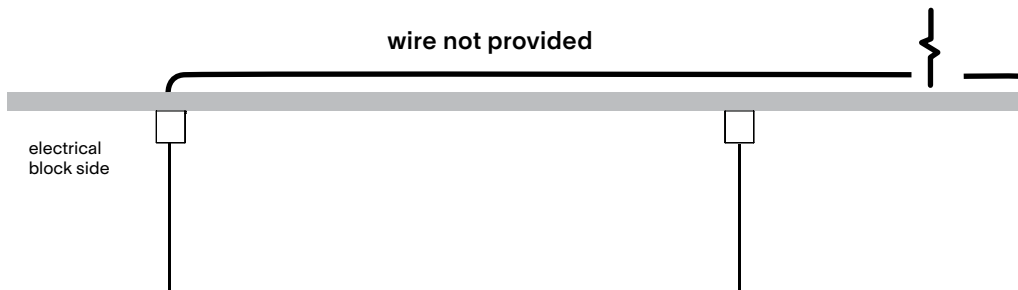


\*Dimensions for canopy equipped with DALI dimming (220-240V)

## DC- Daisy chain



## RM-Remote driver



\*housing not necessary for Phase Dimming 220-240VAC (only driver provided)

## REMOTE DRIVER HOUSING

Must be accessible for maintenance in a well aerated location for heat dissipation

Use the following chart to determine proper wiring gauge according to the distance to its location.

### GAUGE

18AWG (0.75mm<sup>2</sup>)  
16AWG (1.5mm<sup>2</sup>)  
14AWG (2.5mm<sup>2</sup>)  
12AWG (4mm<sup>2</sup>)

### MAX ALLOWABLE DISTANCE

85 ft. / (26 m)  
136 ft. / (41 m)  
216 ft. / (66 m)  
343 ft. / (105 m)

## MATERIAL\*



**AL**  
Polished  
aluminum



**BM**  
Black  
Marquina  
marble



**GU**  
Guatemala  
Green  
marble



**PI**  
Pink  
Portugal  
marble



**RL**  
Red  
Levanto  
marble



**RN**  
Red  
Negrais  
marble

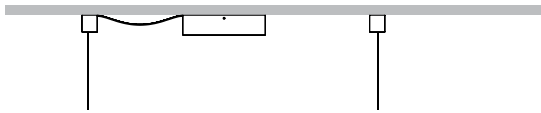
## CORD



**BK**  
Black

## MOUNTING

**SM**  
Surface mounted



**DC**  
Daisy chain



**RM**  
Remote Driver

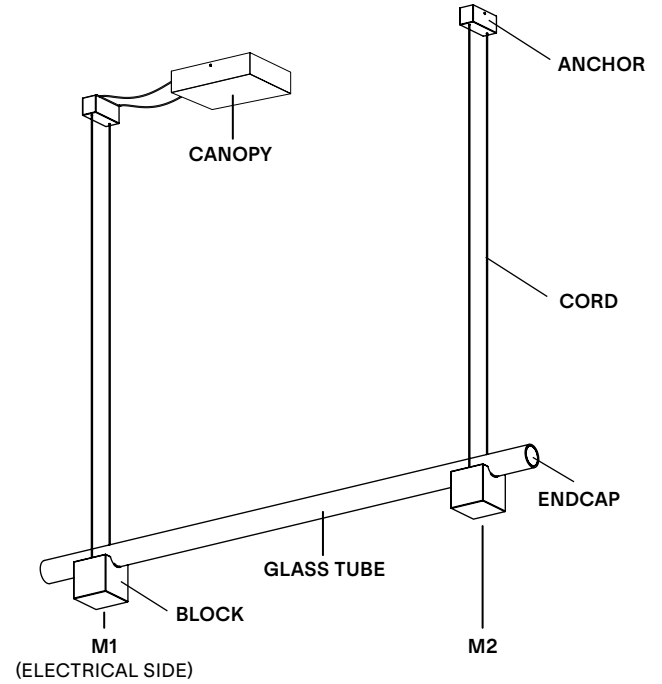


## NOTES

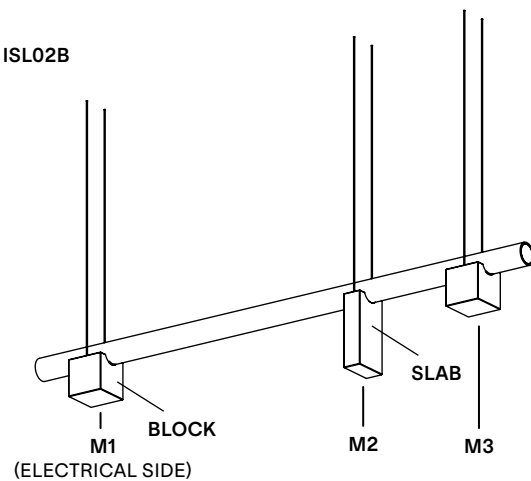
- Must be installed by an electrician
- LED may only be changed by Lambert & Fils or other authorized personnel
- Not protected against liquids (refer to IP20)
- Additional charges for modifications or for special orders
- Please refer to maintenance sheet on our website for cleaning instructions
- \*All marble colours and vein patterns are unique to each block.

## LAMP ANATOMY

### ISL02A



### ISL02B



		Example	Fill with your selection
<b>COLLECTION</b>	<b>ISL</b> Isle	ISL	ISL
<b>MODEL</b>	<b>02</b>	02	02
<b>CONFIGURATION</b>	<b>A</b> <b>B</b>	A	
<b>MATERIAL 1 - M1</b> <b>ELECTRICAL BLOCK</b>	<b>AL</b> Polished Aluminum <b>BM</b> Black Marquina marble <b>GU</b> Guatemala Green marble <b>PI</b> Pink Portugal marble <b>RL</b> Red Levanto marble <b>RN</b> Red Negrais marble	AL	
<b>MATERIAL 2 - M2</b>	<b>AL</b> Polished Aluminum <b>BM</b> Black Marquina marble <b>GU</b> Guatemala Green marble <b>PI</b> Pink Portugal marble <b>RL</b> Red Levanto marble <b>RN</b> Red Negrais marble	AL	
<b>MATERIAL 3 - M3*</b> <b>*ONLY FOR B CONFIGURATION</b>	<b>AL</b> Polished Aluminum <b>BM</b> Black Marquina marble <b>GU</b> Guatemala Green marble <b>PI</b> Pink Portugal marble <b>RL</b> Red Levanto marble <b>RN</b> Red Negrais marble	AL	
<b>CORD</b>	<b>BK</b> Black	BK	BK
<b>CANOPY AND ANCHORS</b>	<b>AL</b> Polished aluminum	AL	AL
<b>MOUNTING</b>	<b>SM</b> Surface mounted <b>RM</b> Remote driver <b>DC</b> Daisy chain	SM	
<b>COLOUR TEMPERATURE (CCT)</b>	<b>WL</b> Warm light (2700K) <b>NL</b> Neutral light (3000K) <b>D27</b> Dim to warm (2700K-2200K) <b>D30</b> Dim to warm (3000K-2200K) <b>CCT</b> Other CCT available upon request**	WL	
<b>DIMMING</b>	<b>ZT</b> 0-10V (120VAC only) <b>PH</b> Phase dimming <b>DA</b> DALI (220-240VAC only)	ZT	
<b>FULL SKU</b>		ISL02AALALBKALSMWLZT	

**NOTES**

\*\*Specific CCT selection only available in 100k increments, from 2200K to 4000K inclusively and not available with Dim-to-Warm feature.

## TESTED DIMMER COMPATIBILITY LIST - 120V

Compatible with Trailing Edge dimming (Reverse Phase/ELV) or Leading Edge (Forward Phase) dimming.  
We strongly recommend using dimmers that require a Neutral wire connection.

DIMMER BRAND	MODEL	MAX LEVEL	MIN LEVEL	DIMMING PROTOCOL
Lutron Diva	DVELV-300P	100%	1%	Phase Cut
Lutron Diva	DVELV-303P	100%	1%	Phase Cut
Lutron Diva	DVRP-253P	100%	1%	Phase Cut
Lutron Skylark	CTELV-303P	100%	1%	Phase Cut
Lutron Skylark	SELV-300P	100%	1%	Phase Cut
Lutron Skylark	SELV-303P	100%	1%	Phase Cut
Lutron Skylark	CTRP-253P	100%	1%	Phase Cut
Lutron Maestro	MA-PRO	100%	1%	Phase Cut
Lutron Caseta	PD-5NE	100%	1%	Phase Cut
Lutron Nova	NTELV-300	100%	1%	Phase Cut

---

Some dimmers require a minimum load, check specifications.

---

We recommend conducting your own test before final installation.

---